

# SS28YTC SERIES

DESCRIPTION -Single Point Switch in Stainless Steel with TC Head connection

- Salient Features –
  - IP 67 & IP 65 protection
  - Single or Dual, triple Switching Levels
  - 1" BSP thread & DIN Connector for Quick Circuit Connection
- Applications - Oil level switch , Diesel level switch , Industrial Chiller and many more.



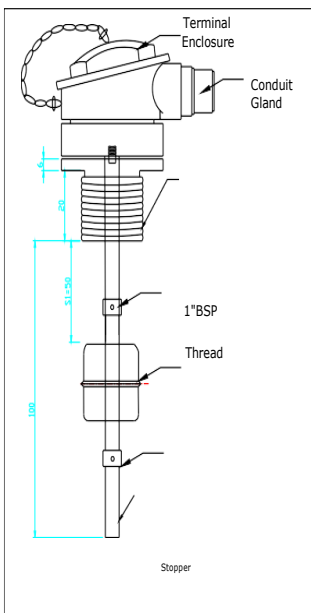
## MECHANICAL SPECIFICATIONS

Mounting Style	<b>External</b>	Connection	<b>DIN43650</b>
Mounting Thread	<b>1" BSP</b>	Max Temperature	<b>125°C</b>
Float and Stem Material	<b>SS 304 Grade</b>	Other connections	<b>P11 Gland</b>
Maximum Pressure	<b>5 Bar ( up to 500 mm Length</b>	Tightening Torque (nut)	<b>2.0kg/cm</b>
Float SG	<b>0.8</b>	Min Fluid SG	<b>0.8</b>

## ELECTRICAL SPECIFICATIONS

Contact Form	<b>N/O (N/C)</b>
Switching Power Max VA	<b>25</b>
Switching Voltage AC Max V	<b>230</b>
Switching Voltage DC Max V	<b>5 to 24</b>
Switching Current Max A	<b>0.5</b>

Custom versions can be made for particular applications. Please contact us with your requirements. [sales@aurocontrols.com](mailto:sales@aurocontrols.com)



STANDARD PARTS	MATERIAL	MAX POWER	LEADOUTS
SS28YS1TC/200	SS304	25VA	Yellow 22 AWG 17/UL 1569

This is an External or Top mount Level switch with a terminal enclosure is of IP65 & IP 67 protection grade.

Cable entry in level switch is also through IP65 conduit gland which makes the level assembly suitable in dusty and harsh Industrial environment.

This Design allows user to configure the switch action as per application. Switching action can be reversed by removing the float, inverting & refitting it on the stem. Mounting Thread is of 1" BSP with female socket to be welded directly on the tank. Versions can be customized as per application demand for multiple switching and Float variations for precise switching band as per liquid properties and insertion depths

Typical application includes Oil level switch, Diesel level switch , Industrial Chiller units and many more.