

SS28HS3DIN SERIES

DESCRIPTION - Three Point Stainless Steel switch with DIN connector

- Salient Features –
 - Stainless Steel Material
 - Single or Dual, triple Switching Levels
 - 1" BSP thread & DIN Connector for Quick Circuit Connection

- Applications – Printing machinery , Liquid food stuffs and many more.



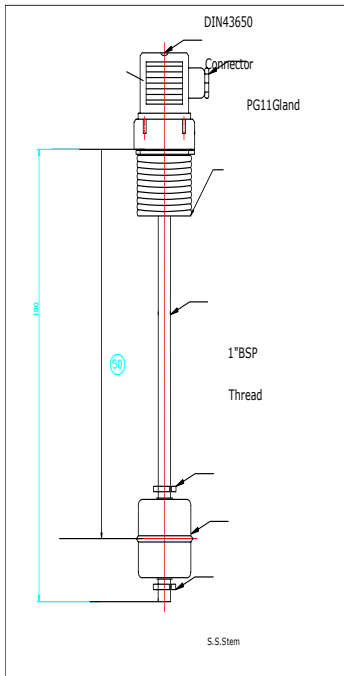
MECHANICAL SPECIFICATIONS

Mounting Style	External	Connection	DIN43650
Mounting Thread	1" BSP	Max Temperature	125°C
Float and Stem Material	SS 304 Grade	Other connections	P11 Gland
Maximum Pressure	5 Bar (up to 500 mm Length)	Tightening Torque (nut)	2.0kg/cm
Float SG	0.7	Min Fluid SG	0.85

ELECTRICAL SPECIFICATIONS

Contact Form	N/O (N/C)
Switching Power Max VA	25
Switching Voltage AC Max V	230
Switching Voltage DC Max V	5 to 24
Switching Current Max A	0.5

Custom versions can be made for particular applications. Please contact us with your requirements. sales@aurocontrols.com



STANDARD PARTS	MATERIAL	MAX POWER	LEADOUTS
SS28HS3DIN43650EL/309	SS304	25VA	7/32 ; Teflon wire

This is a Compact external top mount Level switch. Easy end connection by DIN43650 connector. Construction has SS Stem and Float can be in SS or in engineering grade plastic as per application demand. Material variations for plastics are Base polymer Polyamide and Polypropylene.

Mounting can be 1" BSP or ½" BSP with female socket to be welded directly on the tank.

User Configurable Switching action i.e NO/NC is possible by selecting proper float orientation during Switching action. Level Sensor can be customized in terms of variable insertion depths; multiple switching direct switching for high power loads and harsh industrial environments.

Typical application includes Level Sensing in Automotive applications, Liquid Food stuffs; Printing machinery.