

# LSH Series

## Internal side mount level sensor series

**Compact internal fit device** available in Nylon & Polypropylene. The use of low power switch makes it economical range of level sensing devices. These devices can be installed for level sensing in open tanks. Application varies from level sensing of water to costly industrial fluids. Application specific switching action can be achieved by maintaining the desired float position in the fluid. Mounting requires 16.5 mm hole in tank. The Reed switch operates within 40 deg movement of the float.

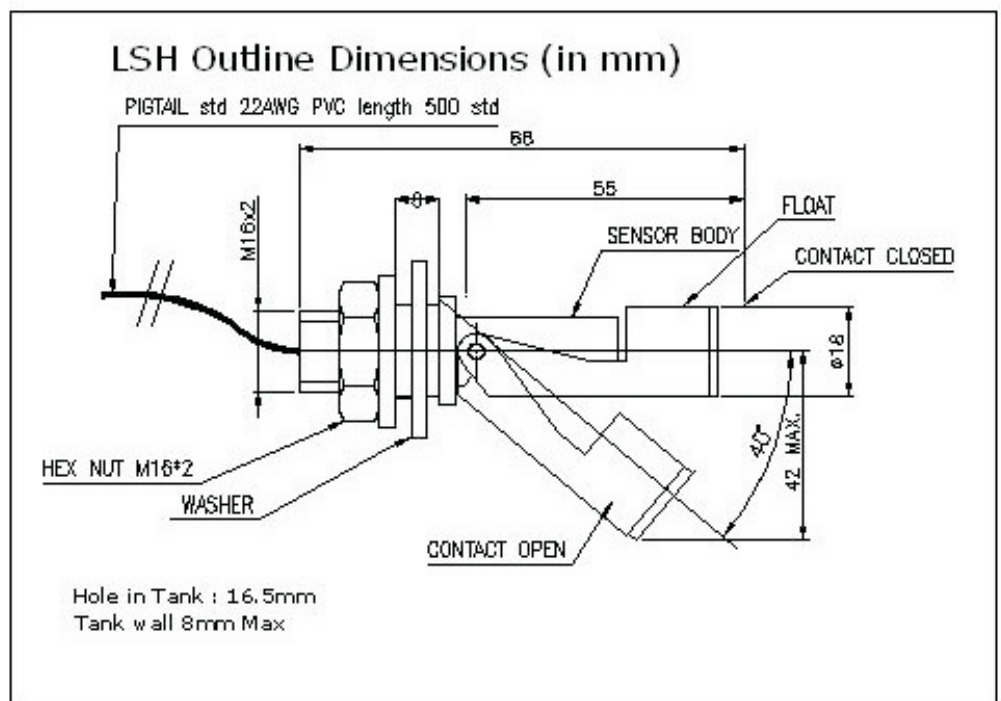
### Specifications

	LSH 01	LSH 02
Material	Nylon	Polypropylene
Temp range (deg C)	-20 to +75	-20 to +100
Min fluid S.G .	0.85	0.85
Contact Form	N/O (N/C)	N/O (N/C)
Switching Power (VA)	10	10
Switching Voltage (V)	200 dc	200 dc
Switching current (A)	0.5	0.5
Lead Outs	22 AWG PVC 50 cm Std	22 AWG PVC 50 cm Std

### Features

- 1) Economical Range
- 2) 10 W Switching
- 3) Reliable & consistent signal
- 4) Internal Mount

\*All ratings for resistive load



### Standard Parts

LSH01HPN

10 W 200 Vdc Horizontal Internal Mount Level Switch in Nylon with 50 cms PVC lead & Nitrile Gasket.

LSH02HPN

10 W 200 Vdc Horizontal Internal Mount Level Switch in Polypropylene with 50 cms PVC lead & Nitrile Gasket.

### Contact us:

37, Gultekadi,  
Industrial Estate,  
Pune - 411037, India  
Tel : 020-25465915  
Email:c3cauro@gmail.com  
www.c3cauro.com

Note: For customised solutions contact CAT

All Rights Reserved. Specifications are subject to change without prior notice.