



X3 SERIES ELEMENT PROTECTOR



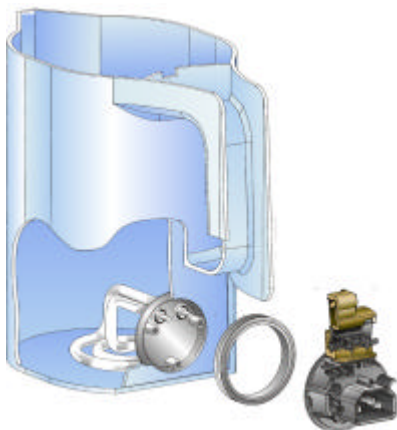
The X3 Series is an element dry boil protector which is designed to disconnect the live electrical supply from the element under abnormal operating conditions. Primary protection is performed by an auto resetting bimetal blade which by disconnecting the live pole ensures both the element and any associated steam sensing switch are at a neutral potential. An independent secondary fail safe device is incorporated in the control which permanently disconnects both the live and neutral supply. Pre-selected operating characteristics ensure that it is impossible for the secondary control to operate prior to normal function at the primary.

Compact design and construction gives minimum projection at the jug/kettle base but still allows the use of a one piece body incorporating the connector inlet moulding. The X3 offers the facility for automatic connection to the Otter J1 steam sensing control and interfaces directly with the CS2 cordless system.

Connections for neon indicators are a standard feature which offers a range of wiring alternatives for various neon 'on' conditions using standard receptacles. In addition to this there is a range of inlet options which meet all worldwide requirements and standards.

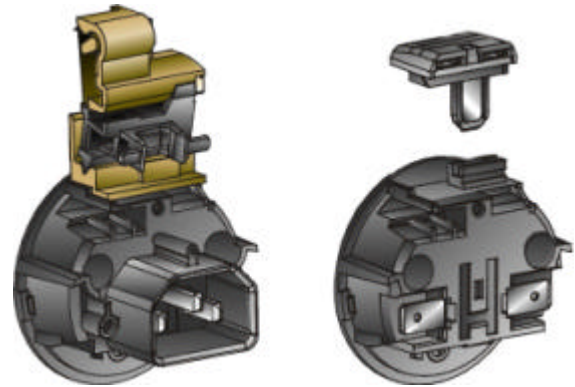
TECHNICAL DATA

AC Rating BEAB/VDE:	10.0 Amps at 250 Volts 50Hz
BEAB/VDE:	13.0 Amps at 250 Volts 50Hz (X33, X36, X39)
CSA:	13.0 Amps at 125 Volts 60Hz
UL:	13.0 Amps at 120 Volts 60Hz
Max Continuous Carry Current:	13 Amps AC
Flammability:	Flame retardant material



For detailed drawings, specific approvals data, samples and application test work, please contact our Sales Office.

'Otter' and the Otter Logo are registered trademarks of Otter Controls Limited. The product(s) described here are subject to patents or patent applications worldwide.



FEATURES

- 3 screw fixing (captive screws and washers available)
- 43/43.5mm body aperture
- Auto cycling primary protectors on live pole
- Automotive connection to J1 steam control
- Compact construction
- Double pole independent secondary protection
- Integral heat shield
- Neon connections
- One piece body and connector inlet moulding
- Range of connector inlet options

APPLICATIONS

- Steam generators
 - Jugs
 - Kettles
 - Vending machines
 - Wallpaper strippers
- } Plastic and metal bodied

INLET OPTIONS

- | | |
|-------------------------------|--------------------------------------|
| • X31 Hot inlet | • X35.50 Two pin cold inlet |
| • X31.50 Two pin hot inlet | • X36 Permanently wired (shot) inlet |
| • X32.20 Cordless inlet | • X37 Cordless inlet |
| • X33 Permanently wired inlet | • X39 Low profile inlet |
| • X34 CSA inlet | • X3a UL inlet |
| • X35 Cold inlet | • X3a.50 Two pin UL inlet |

APPROVALS

Approved by BEAB & VDE to EN60 730-1 & EN60 730-2-1, CSA & UL

OTTER CONTROLS LIMITED,
Hardwick Square South, Buxton, Derbyshire SK17 6LA, England.
Tel: 01298 762300 Fax: 01298 72664

Email: sales@ottercontrols.com

Approved to BS EN ISO 9001