



H1 SERIES THERMAL SAFETY CUT-OUT



The H1 Series safety cut-out is designed to offer the ultimate in thermal overload protection for a wide variety of Domestic Appliance Manufacturers. Capable of carrying resistive loads of 16 Amps at 250 Volts AC, the H1 is the perfect cut-out to provide rapid thermal response so essential for safety applications. Despite its small size, the H1 is extremely robust due to the benefits of using insert moulded construction which removes all the usual problems associated with rivetted assemblies. Set temperatures range from 60°C to 160°C with a $\pm 5^\circ\text{C}$ tolerance if required. A choice of terminals is available including 6.3mm tabs, plus the option of a side fixing lug for rivet or screw mounting in the appliance. The H1 is offered in auto reset, manual reset or PTCR electrical reset versions.



TECHNICAL DATA

H11 AUTO RESET

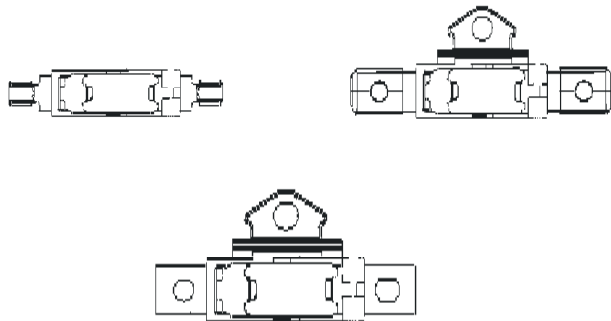
Temperature Range: Min 55°C to max 165°C
Max Ambient Temperature: 50°C above set temperature or 200°C max
Tolerance: From $\pm 5^\circ\text{C}$
AC Rating - EN60 730: 250 Volts 16(5) Amps 10,000 cycles

H12 MANUAL RESET

Temperature Range: Min 55°C to max 165°C
Max Ambient Temperature: 50°C above set temperature or 200°C max
Tolerance: From $\pm 5^\circ\text{C}$
AC Rating - EN60 730: 250 Volts 16(5) Amps 300 cycles
400 Volts 10 Amps 10,000 cycles

H13 PTCR ELECTRICAL RESET

Temperature Range: Min 55°C to max 140°C
Max Ambient Temperature: 50°C above set temperature or 200°C max
Min Ambient Temperature:
in still air: -20°C
Tolerance: From $\pm 5^\circ\text{C}$
AC Rating - EN60 730: 250



FEATURES

- 16 Amp rating
- 6.3mm tab terminal option
- Competitive price
- Fast response to radiant heat
- Non-brittle fixing lug
- PTCR version- holds contact open in fault condition
- Robust insert moulded construction
- Small size
- Standard fixing centres for rivet terminals
- Manual reset option
- Various cover options

APPLICATIONS

- Air conditioning
- Cable reels
- Hair dryers
- Heaters- fan, convector, panel, etc
- Home laundry appliances
- Vacuum cleaners

APPROVALS

Approved to IEC 60730-1 & IEC 60730-2-9

EN
CSA
UL H12, H13

For detailed drawings, specific approvals data, samples and application test work, please contact our Sales Office.

'Otter' and the Otter Logo are registered trademarks of Otter Controls Limited.

The product(s) described here are subject to patents or patent applications worldwide.

OTTER CONTROLS LIMITED,
Hardwick Square South, Buxton, Derbyshire SK17 6LA, England.
Tel: 01298 762300 Fax: 01298 72664
Email: sales@ottercontrols.com
Approved to BS EN ISO 9001: 2000