



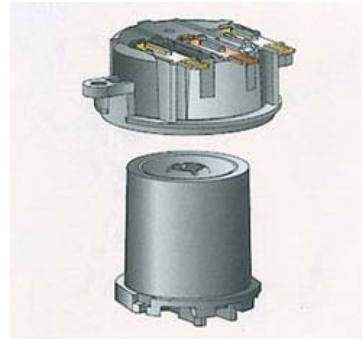
## 360 DEGREE CORDLESS CONNECTOR SYSTEM



Three years of Research and Development resulted in the successful launch during 1995 of the Otter CS4 / CP7, an innovative 360° Cordless Connector System.

The CS4's multi directional function overcomes many of the design and marketing problems associated with traditional kettle connector systems, e.g. Left hander usage, and can of course be applied to convert most portable electrical appliances into more user friendly cordless units.

The CS4's patented shutter meets all the requirements of EN 60 335-2-15, in particular the arduous 1% saline water test. Additionally the unique 3600 contact system incorporates over 3 mm of vertical movement to optimize tolerances within the kettle assembly and also allows full



### FEATURES:

- Unique patented 360 operation
- Competitive price
- Ease of location
- Tolerant assembly
- Silver contacts
- Suitable for class 1 and 2 appliances
- Versatility
- 3 kw capability
- Rotation under load
- Double insulated
- Meets all water spoilage resistant requirements

### APPLICATIONS:

- Jugs
- Kettles
- Water Heaters
- Irons
- Kitchen Appliances
- Personal care products
- DIY Tools

### TECHNICAL DATA

AC RATING EUROPE: 13.0 Amps at 250 Volts 50 Hz

CANADA: 13.5 Amps at 120 Volts 60 Hz

USA: 15.0 Amps at 120 Volts 60 Hz

Flammability: Flame Retardant Materials

Terminals: CS4 4.8 tab terminals

CS7 4.8 tab terminals

Approvals: BEAB, CSA, UI

For detailed drawings, specific approval data, Samples and applications test work, please contact our sales office.

'Otter' and the Otter Logo are registered trademarks of Otter Controls Limited. The product (s) described here are subjects to patent or patent applications worldwide.

OTTER CONTROLS LIMITED

Hardwick Square South, Buxton, Derbyshire SK17 6LA, England,  
Telephone: 01298 762300 Fax: 01298 72664

Email: sales@ottercontrols.com

Approved To BS EN ISO 9001