

SS5XTC Series

External Top Mount Series

External, Top mount Level switch. The terminal enclosure is of I.P.65 protection grade. Cable entry in level switch is also through IP65 conduit gland which makes the level assembly suitable in dusty and harsh Industrial environments

Design allows the user to configure the switch action as per application. Switching action can be reversed by removing the float, inverting & refitting it on the stem. Mounting is 1" BSP with female socket to be welded directly on the tank. Versions can be customized as per application demand for multiple switching, float variations for precise switching band as per liquid properties and insertion depths

Typical application includes Oil level switch, Diesel level switch, Industrial Chiller units and many more

Specifications:

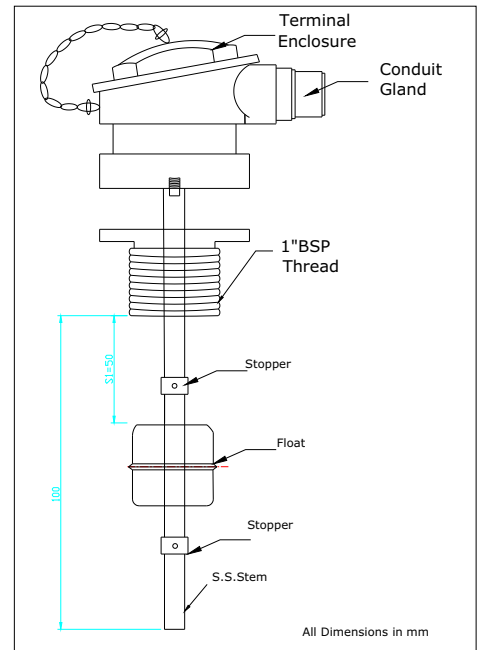
	SS58YTC	SS53YTC	SS54YTC
Material			
Stem	S.S.	S.S.	S.S.
Float	S.S.	Nylon.	Polypropylene.
Temp. Range (deg C)	-20 to +125.	-20 to +75.	-20 to +100.
Min Fluid S.G.		0.85.	
Contact Form.		N.O./ N.C.	
Switching Power (VA)		25VA.	
Switching Voltage (V)		230V AC; 5V/6V/12V/24V DC.	
Switching Current (A)		<=0.5.	

Features:

1. I.P. 65 protection
2. User Configurable switching
3. Hybrid float Versions available
4. Economical
5. Multiple Switching variant possible



All rights reserved .Specifications Subject to change without Prior Notice



Standard Parts

SS58YS1TC

25VA AC/DC Single point Float switch with SS stem & float with 100mm insertion depth;50mm switch

SS53YS1TC

25VA AC/DC Single point Float switch with SS stem & Nylon float; 100mm insertion depth;50mm switch

SS54YS1TC

25VA AC/DC Single point Float switch with SS stem & Polypropylene float;100mm insertion depth;50mm switch

Contact Details

37, Gultekadi Industrial Estate
Pune -411 037

Tel: 020-25465915

Email: neesh@aurocontrols.com

sakhalkarnilesh@aurocontrols.com

www.c3cauro.com