

- Up to 20A Carry Current at 30MHz
- 6.5kV DC Isolation
- Fully Screened Coil for Low RF Loss
- Cost Effective alternative to Vacuum Ceramic Devices
- Suitable for 1 kW HF Transmitters

## FRD30000 Series Fully Screened. 6.5kV, 20A

This flagship relay series offered by Crydom employs multiple high vacuum reed switch contacts ensuring excellent performance and reliability for high voltage and heavy carry current applications. The two basic models, FRD32061 and FRD32062 will carry currents of 12 and 20A respectively at 30MHz and feature silver plated, fully screened coil assemblies for ultra-low RF losses. Typical applications include over the horizon (OTH) HF radar systems and 1kW base station transmitters.

CONTACT	UNITS	CONDITIONS	FRD32061	FRD32062
Action (form A, B or Latching)			A	A
Switching Voltage	V	DC max	20	20
Switching Current	A	DC max	1	1
Carry Current	A	RMS at 30MHz max	12	20
Isolation	kV	DC max	6	6.5
Capacitance (max.)	pF	coil/screen gnd	2	2
Lifetime	operations	dry switching	10 <sup>9</sup>	10 <sup>9</sup>
		24V, 1A	10 <sup>7</sup> -10 <sup>8</sup>	10 <sup>7</sup> -10 <sup>8</sup>
Contact Resistance	mOhms	maximum (typical)	50 (10)	50 (10)
Insulation Resistance	Ohms	minimum (typical)	10 <sup>10</sup> (10 <sup>13</sup> )	10 <sup>10</sup> (10 <sup>13</sup> )
COIL at 20°C				
Nominal Working Voltage	VDC		24	24
Must Operate	VDC	max	16	16
Must Release	VDC	min	4	4
Nominal Resistance	Ohms	+/-10%	430	270
RF Screening			Full	Full
RF Screening Connection		pin number	Via Mounting Screws	Via Mounting Screws
RELAY				
Operate time (incl. bounce)	mS		5	5
Release time	mS		3	3
Isolation contact to all other terminals	kV	DC max	10	10
Isolation coil to screen	kV	DC max	0.5	0.5
Capacitance contact to all other terminals	pF	contacts open	6.0	6.0
ENVIRONMENTAL				
Storage temperature range	°C		-55 to +125	
Operating temperature range	°C		-40 to +85	

### CONTACT US NOW

#### UNITED KINGDOM

CRYDOM

**T** +44 (0)1202 897969

**F** +44 (0)1202 891918

**E** magnetics@crydom.com

**W** www.crydom.co.uk

#### USA

CRYDOM

**T** +1 858 715 7200

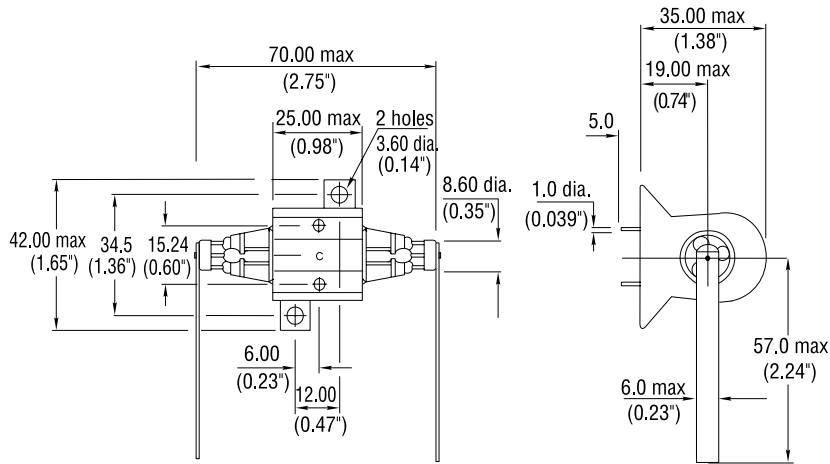
**F** +1 858 715 7280

**E** sales@crydom.com

**W** www.crydom.com

**MECHANICAL**

**FRD32061**



**FRD32062**

