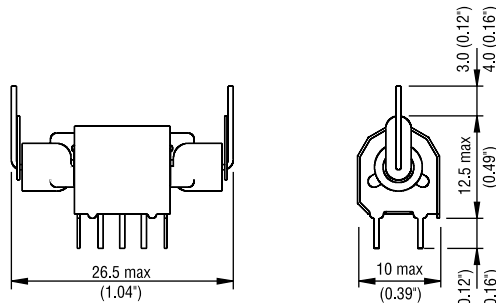
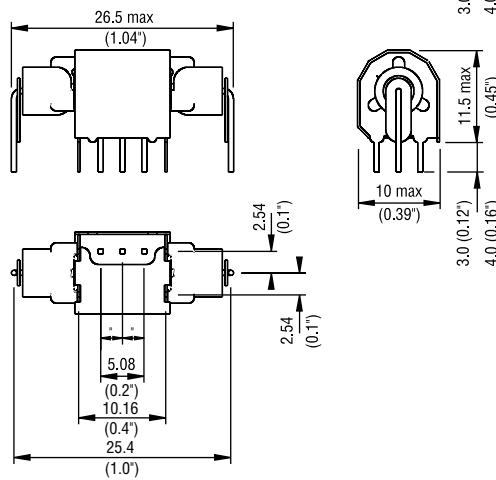


MECHANICAL

Flying Lead



PCB Mount



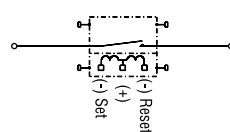
Circuit diagram, Form A



Circuit diagram, Form B



Circuit diagram, Latching



(all circuit diagram views from above)

