



This is designed for use in non-turbulent water, with fairly constant ambient temperature, such as in indoor tanks or covered reservoirs. The switching element is a microswitch, having UL, VDE and CENELEC approvals, with either 10 or 20 Amp contacts, activated by a moving stainless steel ball and having an electrical life of 200,000 operations.

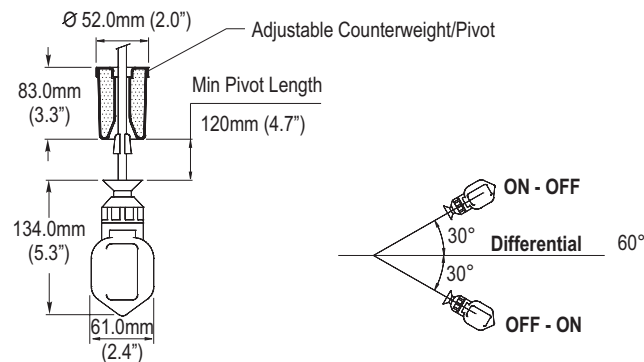


- **WRAS Approved**
- **Cable mounting**
- **100 metre depth Capability**

Technical Specifications		10 Amp	20 Amp
Switching Power Max.	AC	750 VA	1500 VA
	DC	180W	360W
Switching Current Max. Resistive	Resistive	10 Amps	20 Amps
	DC Inductive	1Amp	2 Amps
	AC Inductive	4 Amps	8 Amps
Switching Voltage Max.	DC	110	110
	AC	250	250

Material Specifications	
Body Material	High Density Polyethylene
Standard Cable	5 metres PVC sheathed 3 Core
W cable for Drinking Water	WRAS approved 3 core cable
U cable for Fuel Oils	Polyurethane sheathed 3 core cable
Temperature range	°C 0 to 55°C
	°F + 32 / +131
Max. working pressure	10bars

Mechanical Dimensions
 All dimensions are in millimeters (inches)



USA
 Cynergy3 Components
 2320 Paseo de las Americas, Suite 104
 San Diego, CA 92154
 Sales & Tech Support (866) 258-5057
 Email: sales@cynergy3.com

EUROPE - UK
 Cynergy3 Components Ltd.
 7 Cobham Road
 Ferndown Industrial Estate
 Wimborne, Dorset BH21 7PE
 Telephone +44 (0) 1202 897969
 Fax +44 (0) 1202 891918
 Email:sales@cynergy3.com