



The RSF60 series is designed to offer a vertical float switch with factory configurable options of one, two or three switch positions, in one unit. Floats are manufactured in Polypropylene (PP) or Polyphenylene Sulphide (PPS), which are compatible with a wide range of liquids (refer to factory for specific chemical suitability).

Units can be factory assembled on to PVC extension tubes, or the user can obtain a range of PP and SS extension tubes. Please see pages 18 and 34 for details.



- **Factory configurable to customer requirements**
- **1, 2 or 3 switch positions**
- **Long reach**
- **PPS Stem material**
- **WRAS approval**
- **Many variants are UL recognised components file number E171218**
- **Extension Tubes available**

Technical Specification		RSF64	RSF66
Material	Float	PP	PPS
	Stem	PPS	PPS
Float colour		Opaque	Grey
Temp. Range	°C	-20/+85	-10 / +120*
	°F	-4/+185	+14 / +248*
Min. Fluid S.G.		0.65	0.85

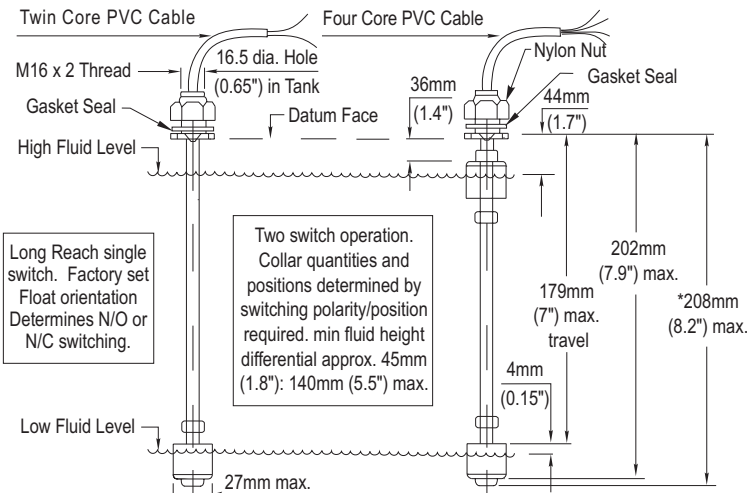
\*Maximum temperature requires ETFE cable to be specified.

Electrical Specification	
Contact Form	N/O (N/C)
Switching Power Max. VA	25
Switching Voltage AC Max.	240
Switching Voltage DC Max.	120
Switching Current Max. A	0.6

All ratings are for resistive load only.

**Mechanical Dimensions**

All dimensions are in millimeters (inches)



**USA**  
Cynergy3 Components  
2320 Paseo de las Americas, Suite 104  
San Diego, CA 92154  
Sales & Tech Support (866) 258-5057  
Email: sales@cynergy3.com

**EUROPE - UK**  
Cynergy3 Components Ltd.  
7 Cobham Road  
Ferndown Industrial Estate  
Wimborne, Dorset BH21 7PE  
Telephone +44 (0) 1202 897969  
Fax +44 (0) 1202 891918  
Email:sales@cynergy3.com