

FFSMC Multi-contact float switch

crydom

Submerged type float switch for sewer and industrial waste systems.

This self-weighted cable end float switch is designed for use in turbulent industrial fluids and fluids with suspended agglomerates, such as sewer water.

The switch is water resistant up to a depth of 100m, and is insensitive to humidity and condensation, due to the particular design of the switch element. This makes it suitable for applications where there may be wide or rapid fluctuations in ambient or fluid temperatures. Switching capacity of this new design of self-cleaning switch element is 10A at 250V ac.

The outer casing is manufactured in blow moulded Polyethylene (PEHD) and the switch element is surrounded by non-hygroscopic closed cell expanded polyurethane, hermetically sealing the unit.

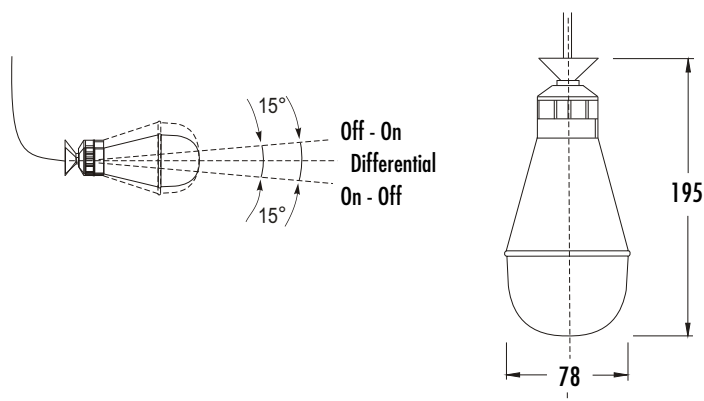
The switch is fitted with an internal weight such that it fixes the centre of gravity, and rotation, close to the cable entry. An external counterweight is supplied to adjust the pivot position.

The moulding shape is rounded to prevent the accumulation of solids, that could cause the float to sink.

Technical Specifications	FFSMC10A	FFSMC10B	FFSMC10C
Contact Form	A	B	C
Material	High Density Polyethylene		
Temp Range °C	0 / +55		
°F	+ 32 / +131		
Cable (standard length 5m)	With protective earth		no earth
Standard cable covering	PVC		
U cable option for Fuel oils	Polyurethane		
Max. working pressure	10 bar		
Electrical Specifications			
Power Rating	AC : 750 VA DC : 180W		
Switching Voltage	AC : 250 V DC : 110 V		
Switching Current Max. Resistive	10 A		
Switching Current Max. Inductive	AC : 4A DC : 1 A		

It is necessary to use an auxiliary relay, when switching pump motors or any loads that are not purely resistive.

MECHANICAL



- **Operates in Turbulent Fluids**
- **Unaffected by Suspended Solids**
- **Cable Mounting**
- **100m Depth Capability**

Crydom Magnetics Ltd
 7 Cobham Road
 Ferndown Industrial Estate
 Wimborne
 Dorset BH21 7PE
 Tel: +44 (0) 1202 897969
 Fax: +44 (0) 1202 891918
 magnetics@crydom.com
 www.crydom.co.uk

Every effort has been made to ensure that the descriptions and specifications quoted are correct, however, no liability can be accepted for any errors or omissions in this data. The detail specifications are subject to change without prior notice.

FFSMC Multi-contact float switch



Part Numbering System

FFSMC 10 A U 1000

Series

Max. current

Contact Form

A = n/o

B = n/c

C = c/o

Cable length in cms:

Blank = 5M standard

Cable covering:

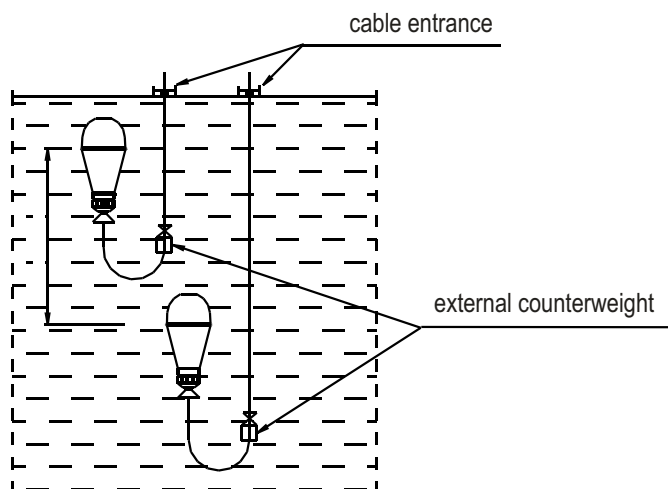
Blank = PVC

U = Polyurethane

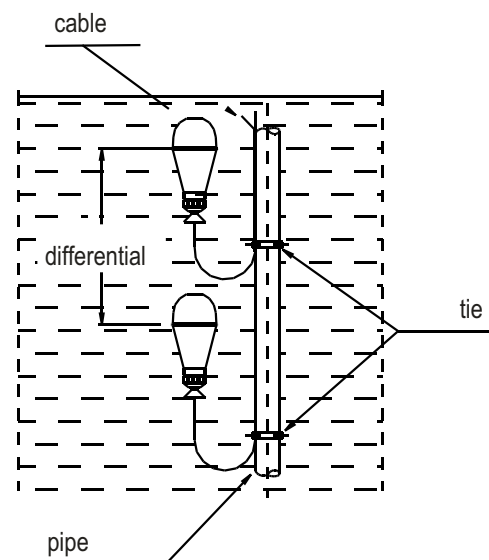
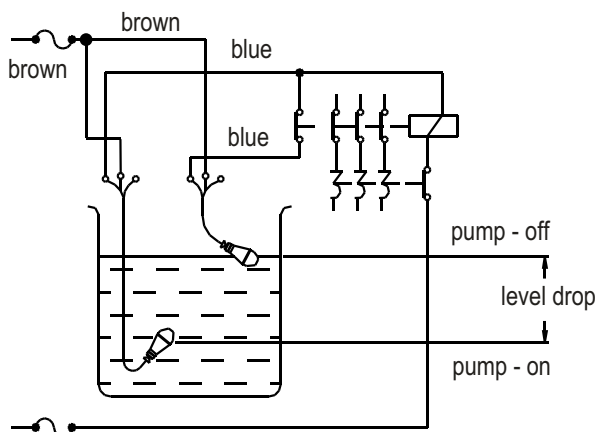
N = Neoprene

S = Silicone

Installation



wiring diagram for filling pump



wiring diagram for emptying pump

