

Flow Switch Series

crydom™

Our range of Flow Switches are reed switch based devices which are manufactured in Acetal resin. These switches are designed for use in liquid flow systems up to 10 Bar pressure. Advanced design ensures minimal fluid flow restriction.

ELECTRICAL SPECIFICATIONS	ALL TYPES
Contact form	N/O
VA Rating	15
Switching Voltage AC	240
Switching Voltage DC	120
Switching Current maximum A	1.0

All ratings are for resistive load only

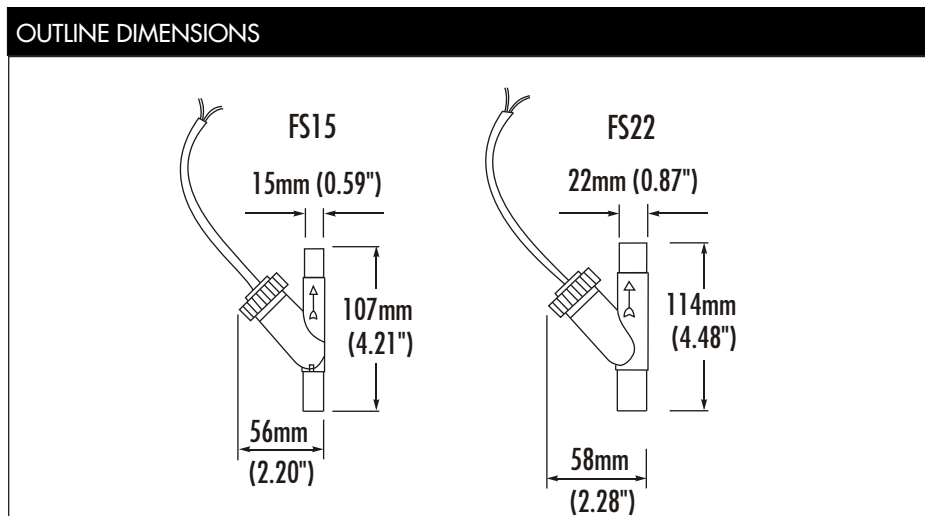
TECHNICAL SPECIFICATIONS		FS15A	FS15LF	FS22A
Operate Flow Rate*	litres/min	2.0	0.90	3.75
	US gals/min	0.53	0.24	0.99
Release Flow Rate**	litres/min	0.3	0.25	1.40
	US gals/min	0.08	0.07	0.37

* The switch will have operated when the flow rate rises above this value.

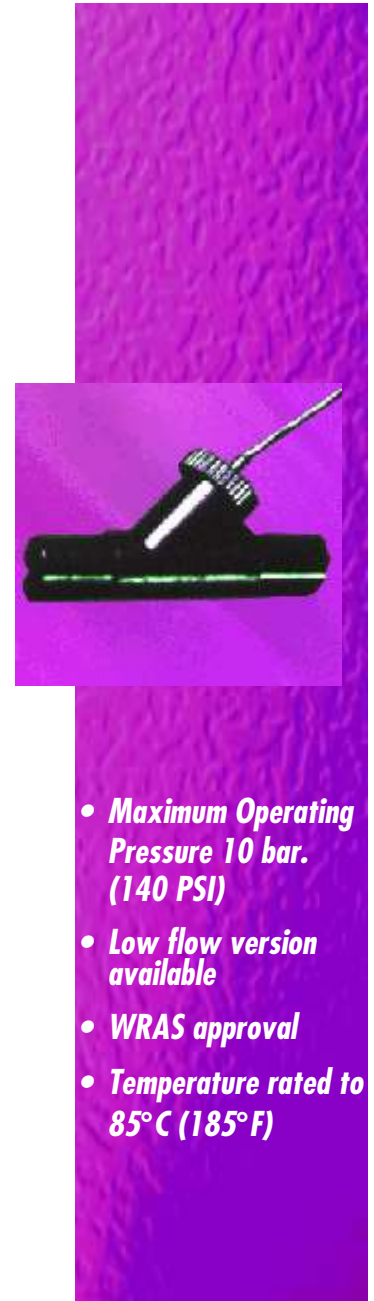
** The switch will have released when the flow rate falls below this value.

Installation

Flow switches can be mounted horizontally or vertically. As the operating piston is returned to it's original position by gravity the cap must always be upwards. Greater operate flow sensitivity is achieved with vertical installation. Supplied with 25cm Cable.



Every effort has been made to ensure that the descriptions and specifications quoted are correct, however, no liability can be accepted for any errors or omissions in this data. The detail specifications are subject to change without prior notice.



- **Maximum Operating Pressure 10 bar. (140 PSI)**
- **Low flow version available**
- **WRAS approval**
- **Temperature rated to 85°C (185°F)**

Crydom Magnetics Ltd
 7 Cobham Road
 Ferndown Industrial Estate
 Wimborne
 Dorset BH21 7PE
 Tel: +44 (0) 1202 897969
 Fax: +44 (0) 1202 891918
 magnetics@crydom.com
 www.crydom.co.uk

Flow Switch notes

crydom

General Note

These flow switches are designed for use in low pressure, hot or cold, water systems. They may also be used with alcohol or dilute weak acids, including organic acids, up to a maximum concentration of 5%, at ambient temperatures.

N.B. These switches are not suitable for use with any type of chlorinated liquid.

Installation Note

Check the free movement of the switch plunger, before installation, by gently shaking the switch.

The Flow direction is indicated by arrows moulded on the flow switch body.

These switches may be installed, either vertically or horizontally, using compression fittings. The cable entry cap should always be upwards.

N.B. Care should be taken, when using metal compression fittings, to avoid overtightening the fitting onto the flow switch body.

The cap should not be unscrewed from the body as the components are factory present and can not be set by the user.

Electrical Caution

Do not put strain on the connecting wires, as this may cause damage to the switch.

The use of plastic plumbing fittings may affect electrical earth continuity bonding, as required by IEE regulations. Please consult a qualified electrician, if in doubt.

Pressure loss

There will be a pressure loss due to the restriction caused by the flow switch. This will increase, with the flow rate, as shown on the chart.

Pressure Loss

Fig. 1

